



ROTATING PULVERIZER

HCP 850 R



DESIGNED FOR 15
TO 27 TONS CARRIERS

RECYCLING
AND DEMOLITION

SECONDARY DEMOLITION,
SEPARATION OF SCRAP
AND CONCRETE

BENEFITS

- **Standard 360° continuous rotation:** full maneuverability to reach optimal and accurate positioning on all jobsites.
- **Robust, solid and durable:** frame made of 400 HB reinforced steel, equipped with oversized hydraulic components.
- **Cylinder with speed valve:** increased productivity and energy savings thanks to reduced cycle times.
- **Quick and easy maintenance:** removable wear plates, refillable 600 HB welding teeth and field-replaceable blades.

/// ROTATING PULVERIZER
BORN TO CRUSH

HCP 850 R

ATTACHMENT SPECS

WEIGHT - WITHOUT ADAPTER PLATE (KG - LB)	1,985	4,376
JAWS CLOSING FORCE (T)	100	
BLADE CLOSING FORCE (T)	175	

HYDRAULIC SPECS

OIL FLOW (MIN - MAX, L/MIN - GPM)	130 - 220	34.3 - 58.1
OPENING & CLOSING PRESSURE (MAX, BAR - PSI)	350	5,075
ROTATION FLOW (MAX, L/MIN - GPM)	25	6.6
ROTATION PRESSURE (MAX, BAR - PSI)	130	1,885

CARRIER SPECS

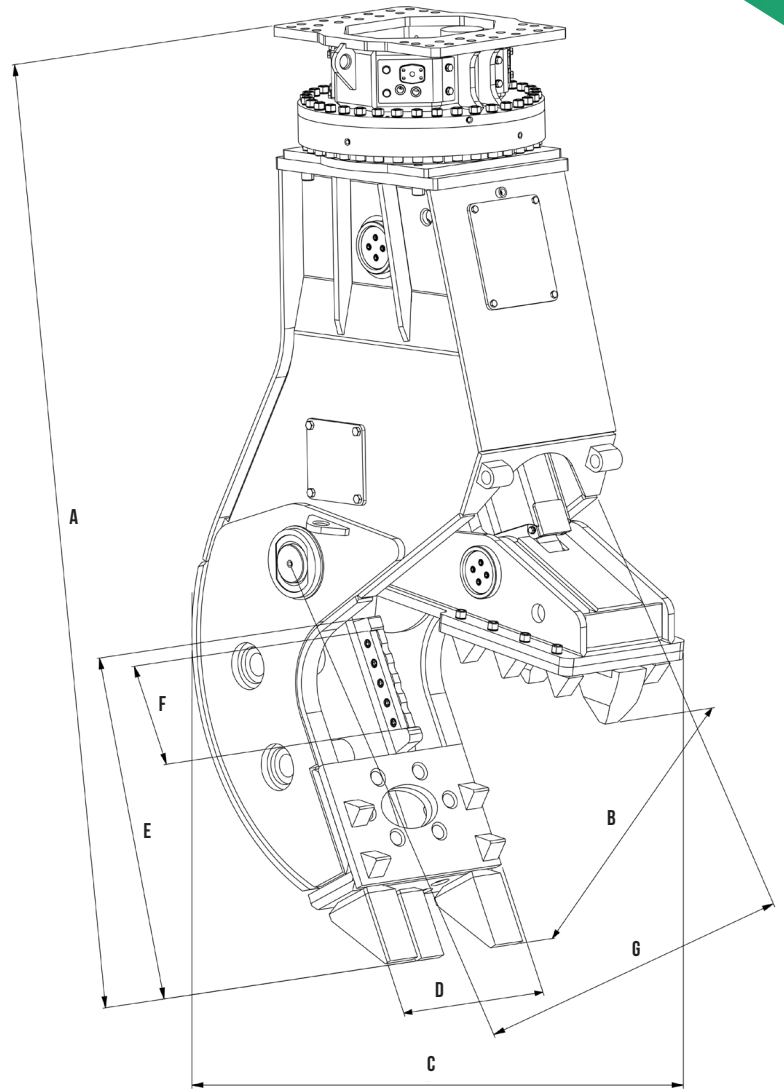
WEIGHT (MIN - MAX, T)	15 - 27
-----------------------	---------

DIMENSIONS (MM - IN)

A	2,442	96.1
B	870	34.2
C (OPEN - SHUT)	1,394 - 1,096	54.8 - 43.1
D	470	18.5
E	843	33.1
F	270	10.6
G	527	20.7

CONSUMABLES

CONSUMABLES	PRODUCT NUMBER
SPARE BLADES	contact us
BASIC MAINTENANCE KIT	contact us
ADVANCED MAINTENANCE KIT	contact us



The content of this brochure constitutes non-binding information and may be changed at any time without notice. Montabert gives, and the brochure contains, no warranties whatsoever, express or implied. All the contents, including but not limited to text, images, graphics are all subject to copyright and all intellectual property protection. Their use or misuse is strictly prohibited. Montabert brand and logo used herein are the property of Montabert. Nothing contained on this document shall be construed as constituting any commitment by Montabert or as granting any license or right to use any intellectual property. ©2024 Montabert. All rights reserved.

montabert.com
montabertusa.com





ROTATING PULVERIZER

HCP 1000 R



DESIGNED FOR 20
TO 40 TONS CARRIERS

RECYCLING
AND DEMOLITION

SECONDARY DEMOLITION,
SEPARATION OF SCRAP
AND CONCRETE

BENEFITS

- **Standard 360° continuous rotation:** full maneuverability to reach optimal and accurate positioning on all jobsites.
- **Robust, solid and durable:** frame made of 400 HB reinforced steel, equipped with oversized hydraulic components.
- **Cylinder with speed valve:** increased productivity and energy savings thanks to reduced cycle times.
- **Quick and easy maintenance:** removable wear plates, refillable 600 HB welding teeth and field-replaceable blades.

/// ROTATING PULVERIZER
BORN TO CRUSH

HCP 1000 R

ATTACHMENT SPECS

WEIGHT - WITHOUT ADAPTER PLATE (KG - LB)	2,770	6,107
JAWS CLOSING FORCE (T)	125	
BLADE CLOSING FORCE (T)	225	

HYDRAULIC SPECS

OIL FLOW (MIN - MAX, L/MIN - GPM)	180 - 260	47.5 - 68.6
OPENING & CLOSING PRESSURE (MAX, BAR - PSI)	350	5,075
ROTATION FLOW (MAX, L/MIN - GPM)	45	11.9
ROTATION PRESSURE (MAX, BAR - PSI)	90	1,305

CARRIER SPECS

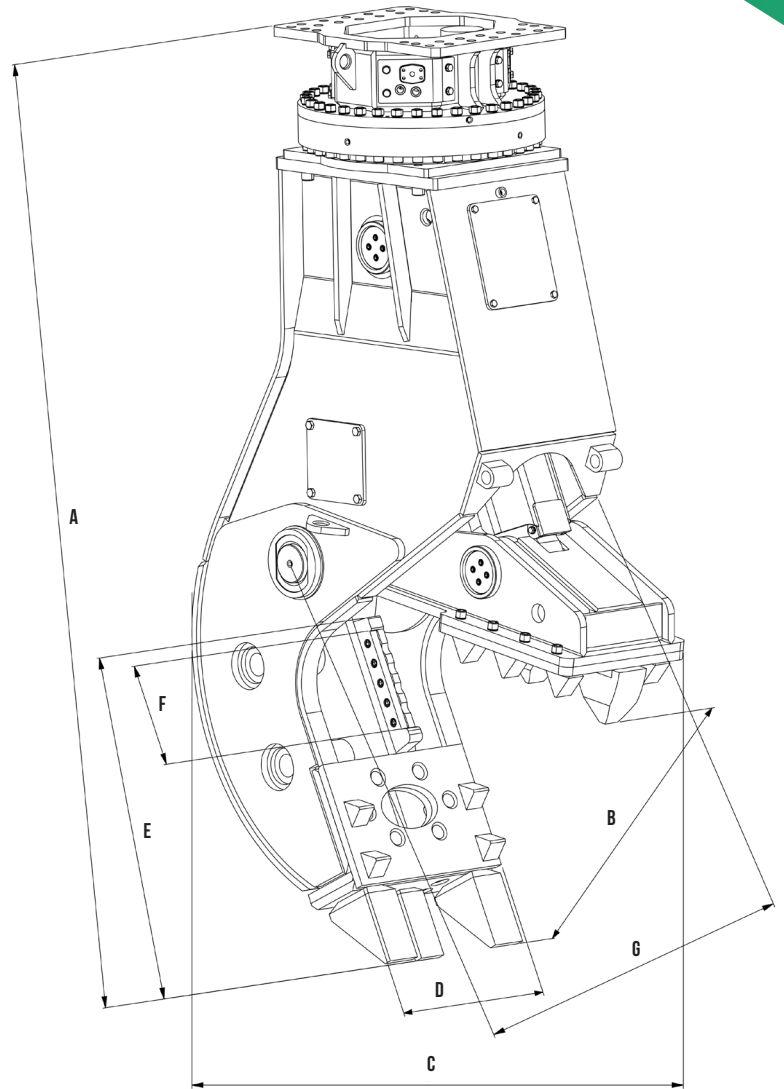
WEIGHT (MIN - MAX, T)	20 - 40
-----------------------	---------

DIMENSIONS (MM - IN)

A	2,766	108.9
B	1,000	39.3
C (OPEN - SHUT)	1,605 - 1,260	63.1 - 49.6
D	563	22.1
E	983	38.7
F	310	12.2
G	620	24.4

CONSUMABLES

CONSUMABLES	PRODUCT NUMBER
SPARE BLADES	contact us
BASIC MAINTENANCE KIT	contact us
ADVANCED MAINTENANCE KIT	contact us



The content of this brochure constitutes non-binding information and may be changed at any time without notice. Montabert gives, and the brochure contains, no warranties whatsoever, express or implied. All the contents, including but not limited to text, images, graphics are all subject to copyright and all intellectual property protection. Their use or misuse is strictly prohibited. Montabert brand and logo used herein are the property of Montabert. Nothing contained on this document shall be construed as constituting any commitment by Montabert or as granting any license or right to use any intellectual property. ©2024 Montabert. All rights reserved.

montabert.com
montabertusa.com

